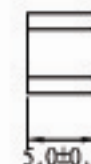
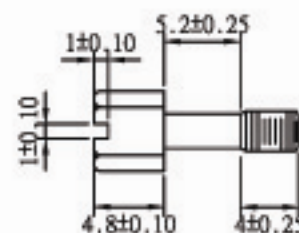
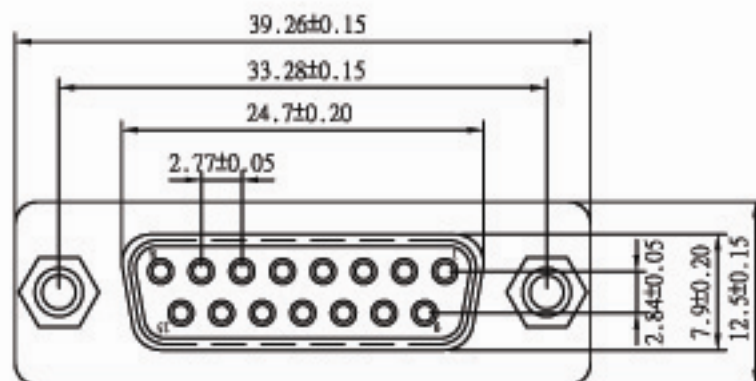
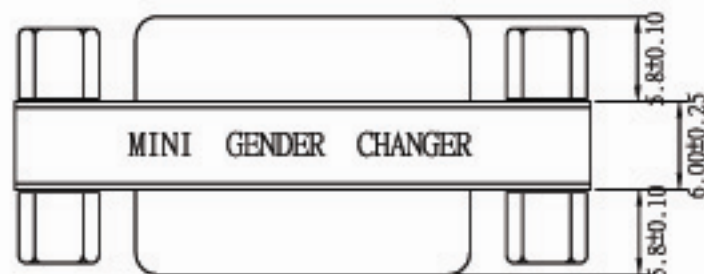
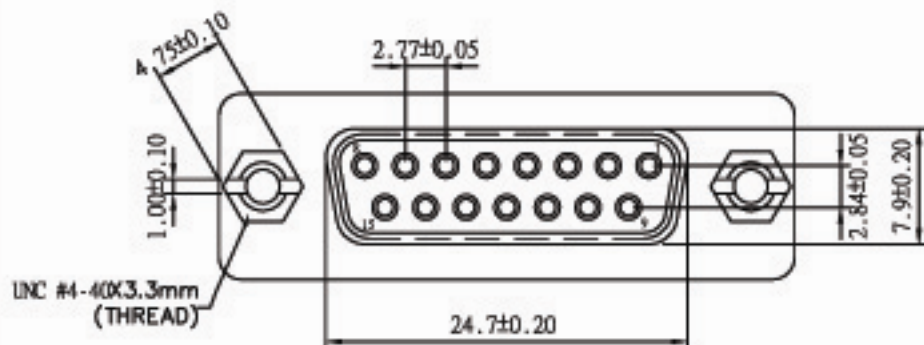


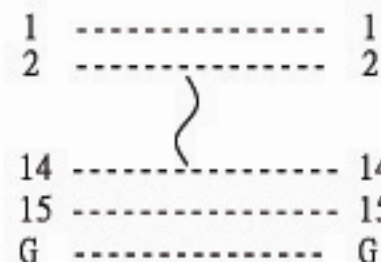
UNC #4-40 Hexscrew

UNC #4-40 Hexnut



DGC 15 F/F GENDER CHANGER  
PIN OUT: 15Female

15Female



Label: yellow color with black character  
One side: MINI GENDER CHANGER

The other side: U.S.A. PATENT 5199906 GENDER CHANGER

SPECIFICATION

INSULATOR: PBT Glass fibre reinforced UL 94 VO

CONTACT: Brass

CONTACT PLATING: Gold plated over nickel

SHELL: Tin Plated Shell

CURRENT RATING: 3 AMP

DIELECTRIC STRENGTH: 1000V AC for one minute

INSULATOR RESISTANCE: 1000MΩ min at 500V DC

TEMPERATURE: -55°C → +105°C

				Edition	A1				ASSMANN Electronics, Inc.							
				SCALE	2:1								PART NO.		DWG NO.	
				UNIT	mm				AB413-R		TD0006-02		30/Nov-2001			
1				修改貼紙(R.O.C. PATENT 64341 <small>改換</small> 改為MINI GENDER CHANGER)	2001/11/30				DRAWN		Fu Hao		CHECKED		APPRD	
Customer	REVISION	DESCRIPTION		DATE		Page		1/1								